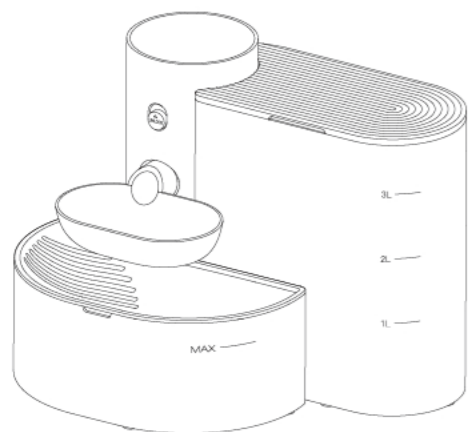




## Smart Self-Refill Pet Water Fountain Instruction Manual

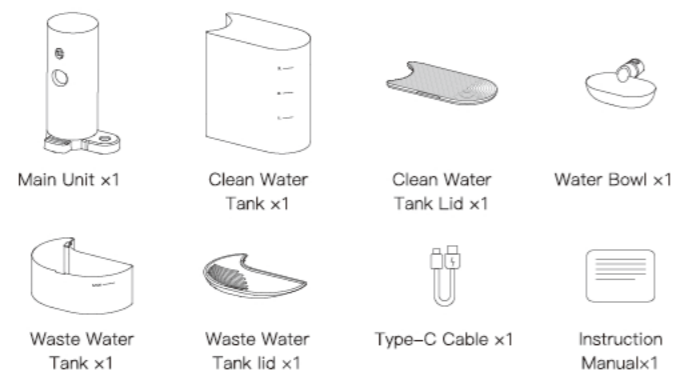


www.petgravity.store

### Safety Instructions

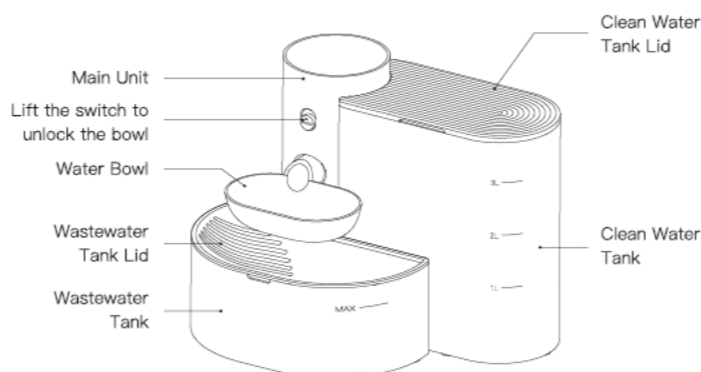
- This device is not intended for individuals with physical, sensory, or mental limitations, or those lacking experience and knowledge (including children).
- Children should be supervised to ensure that they do not use this device as a toy.
- Cleaning and maintenance should not be carried out by children without supervision.
- This device does not support any fast charging protocols. Please charge it with a 5V=1A USB charger adapter.
- Please do not disassemble the built-in battery by yourself to avoid a decline in battery performance or damage to the battery. In serious cases, electrical safety hazards overheating, fire or injury may occur.
- Although this product is running on low voltage, there is still a risk of leakage if the power cord is broken. Please contact professionals in time once it is broken.

### Packing List



### Product Introduction

Please read this manual carefully before using the product and keep it properly stored.



Note: The illustrations of products, accessories, user interfaces, etc., in the manual are for reference only and are schematic. Due to product updates and upgrades, there may be slight differences between the actual product and the illustrations. Please refer to the actual product for accuracy.

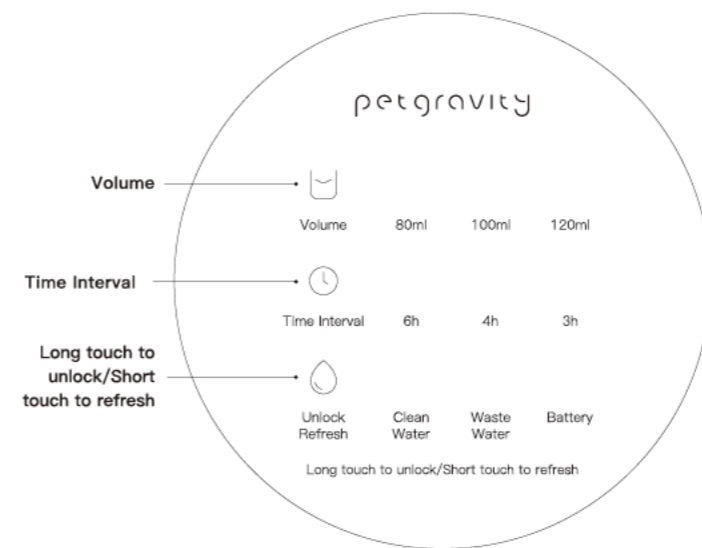
### Specifications

<b>Name:</b> Smart Self-Refill Pet Water Fountain	<b>Suitable for:</b> Cats/Small Dogs
<b>Model:</b> PG-CS601	<b>Material:</b> ABS/PC
<b>Dimensions:</b> 330*235*250 mm / 12.99*9.25*9.84 inches	<b>Weight:</b> Appr. 1.7kg/3 lb

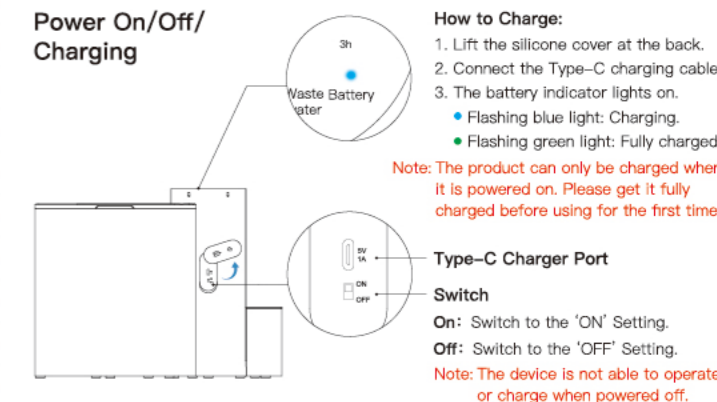
<b>Clean Water Tank Capacity:</b> 3L	<b>Battery Type:</b> Lithium Polymer Battery
<b>Battery Capacity:</b> 2000mAh	<b>Rated Power:</b> 1.2W
<b>Rated Voltage:</b> 3.7V=	<b>Charging Input:</b> 5V=1A

### Operation Interface

#### Touchscreen

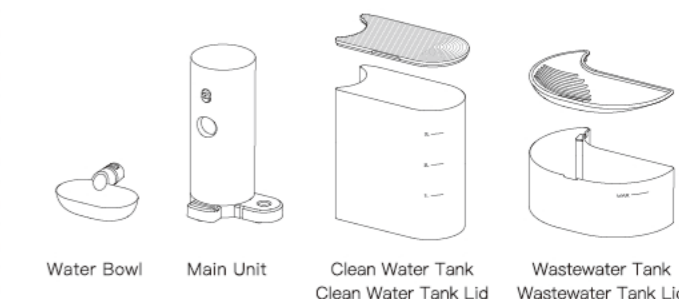


### Power On/Off/Charging



### Preparation Before Use

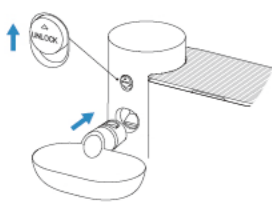
1. Please check if all parts are complete before installation.



2. Install the cleanwater tank by gently pressing to ensure it fits snugly with the main unit, then cover with the cleanwater tank lid.



4. Lift the switch to unlock the bowl.

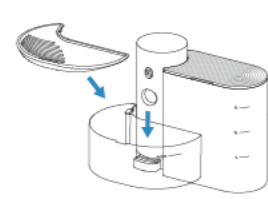


### How to use

1. Pour 3L of drinking water into the cleanwater tank.



3. Install the wastewater tank and cover it with the wastewater tank lid.

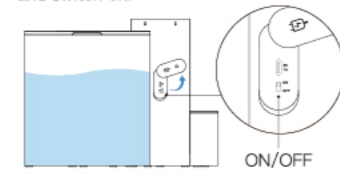


5. Install the water dispenser.



Note: As the device was in-house tested before packing, it is normal if you find a small amount of water upon.

2. Lift the silicone cover on the backside, and switch on.



3. Adjust the water dispensing interval and volume.



5. Guide your cat to the water dispenser to drink water.



### Usage Tips:

Time Interval	Number of Cats	Volume	80ML	100ML	120ML
3H	1	80ML	80ML/100ML	120ML	
4H	1	80ML	100ML/120ML		
6H	1	80ML/100ML/120ML			

Note: Cats require approximately 50-60 milliliters of water per kilogram of body weight per day.

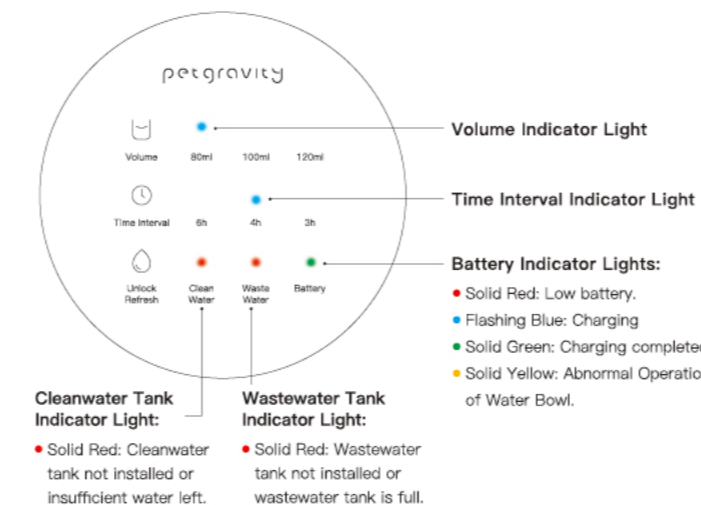
### Different settings for daily water output

Time Interval	Volume	80ML	100ML	120ML
3H	Total Volume	640ML	800ML	960ML
4H		480ML	600ML	720ML
6H		320ML	400ML	480ML

4. Short touch to refresh.



### Indicator Lights



### Device Malfunction Alarm

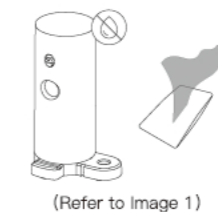
Status	Malfunction Reason
The red indicator light of the cleanwater tank is on, accompanied by a buzzing alarm sound, and the water dispenser stops working (alarm frequency once every 10 minutes).	Cleanwater tank not installed.
The red indicator light of the wastewater tank is on, accompanied by a buzzing alarm sound, the water dispenser stops working (alarm frequency once every 10 minutes).	Wastewater tank not installed.

The red indicator light of the cleanwater tank is on, accompanied by a buzzing alarm sound, the water dispenser continues to work normally.	Insufficient water left in cleanwater tank.
The red indicator light of the wastewater tank is on, accompanied by a buzzing alarm sound, the water dispenser stops working (alarm frequency once every 10 minutes).	Wastewater tank is full.
The red indicator light of the battery is on, accompanied by a buzzing alarm sound, the water dispenser continues to work normally.	Low battery warning.
The red indicator light of the battery is on, the water dispenser stops working.	Need to be charged ASAP
The yellow indicator light of the battery is on, accompanied by a buzzing alarm sound, the water dispenser stops working.	Abnormal Operation of Water Bowl.

- TIP:** The buzzer can be manually turned on/off.
1. Unlock the screen.
  2. Touch and hold the "Volume" and "Time interval" buttons simultaneously for more than 5 seconds.
- Turned off: The buzzer beeped a "long-short-short" sound.
  - Turned on: The buzzer beeped a "short-short-long" sound.

### Maintenance and Care

1. Unlock and clean the cleanwater tank.
2. Unlock and clean the wastewater tank.
3. Unlock and clean the water bowl.
4. The main unit: Please make sure the main unit keep away from water. Clean it with a dry cloth, and continue to use after air drying. (Refer to Image 1)



**Note:** Be sure to disconnect the power before disassembling for cleaning. Do not attempt to clean the main unit and USB-C Cable through immersion in liquids. Only gently wipe and dry with a clean cloth. Do not clean with hot water or boiling water.

### Warning

1. This product and all accessories are not edible.
2. Please use the product indoors in a dry place.
3. Avoid direct sunlight when using and storing the product.
4. Do not place the product in a high place.
5. Keep the machine horizontal when using, do not tilt or knock over.
6. Do not use hot water in the cleanwater and wastewater tank.
7. Please cover and store the charging cable properly to prevent pets from biting and causing electric leakage.
8. Do not disassemble or repair the device by yourself.
9. Do not use any non-professional accessories. Use only attachments/ accessories specified by Petgravity.
10. Do not use adaptor with an output power of more than 15W.

### Hazardous Substances

Component Name	Hazardous Substances					
	Pb	Hg	Cd	Cr(v)	PBB	PBDE
Plastic Shell	○	○	○	○	○	○
PCB and Electronic Components	×	○	○	○	○	○
USB Charging Cable	×	×	×	×	×	×

This table is prepared in accordance with the provisions of SJ/T11346.  
 ○: Indicates that the percentage content of the restricted substance does not exceed the percentage of reference value of presence.  
 ×: Indicates that the restricted substance corresponds to the exemption.